

## TECHNICAL DATA

Cooling capacity R404A/507 ( te= -8 <sup>0</sup> C ; DT1=8K):	19,90 kW
Cooling capacity R404A/507 (te= -25 <sup>0</sup> C; DT1=7K):	14,80 kW
Exchange surface:	81 m <sup>2</sup>
Tube volume:	21,0 dm <sup>3</sup>
Air flow:	16500 m <sup>3</sup> /h
Air throw:	27 m
Gas coil connection:	35 Ø mm
Liquid coil connection:	15 Ø mm
Weight:	141 kg

## FANS

Diameter:	500 Ø mm
Number of fans:	2
Voltage:	400/50 V/Hz
Power:	840 W
Current:	1,68 A

## ELECTRIC DEFROST

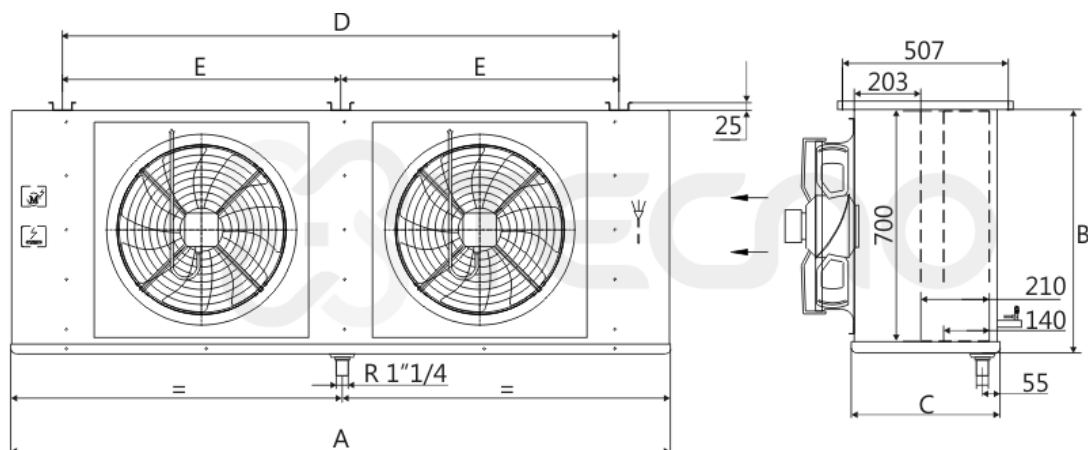
Voltage:	230/50 V/Hz
Coil block:	7x1400 W
Drip tray:	2x1400 W
Total:	12600 W

**THE CORRECTION FACTORS**

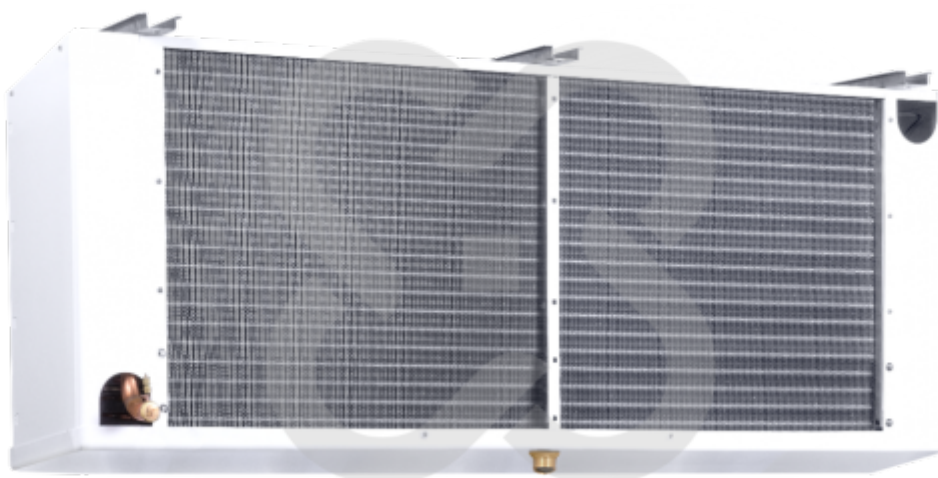
Tevap[°C] / DT1[K]	13	12	11	10	9	8	7	6
5	-	2,146	1,904	1,592	1,361	1,228	1,195	1,010
4	-	2,077	1,835	1,558	1,355	1,201	1,160	0,972
3	2,250	1,973	1,800	1,542	1,340	1,179	1,127	0,946
2	2,181	1,965	1,766	1,527	1,316	1,140	0,999	0,912
1	2,146	1,938	1,731	1,515	1,281	1,108	0,969	0,885
0	2,110	1,911	1,662	1,488	1,261	1,073	0,935	0,854
-5	1,835	1,696	1,488	1,350	1,177	1,013	0,865	0,727
-8	1,627	1,523	1,350	1,246	1,073	1,000	0,806	0,692
-10	1,590	1,498	1,340	1,202	1,011	0,935	0,794	0,673
-15	-	1,385	1,246	1,142	1,004	0,865	0,762	0,658
-20	-	1,246	1,142	1,038	0,935	0,831	0,748	0,623
-25	-	-	1,038	0,935	0,865	0,765	0,720	0,588
-30	-	-	-	0,900	0,796	0,727	0,623	0,544
-35	-	-	-	0,831	0,727	0,658	0,588	0,519

**DIMENSIONS**

A:	2015 mm
B:	740 mm
C:	455 mm
D:	1700 mm
E:	850 mm



SAMPLE PICTURES



Pictures of some products may vary. Every effort was made to information contained in this catalog are correct. Due to the constant technological developments reserves the right to make changes without notice.