

TECHNICAL DATA

Cooling capacity R404A/507 (te= -8 ⁰ C ; DT1=8K):	0,88
Cooling capacity R404A/507 (te= -25 ⁰ C; DT1=7K):	0,64
Exchange surface:	2,1 m ²
Tube volume:	0,95 dm ³
Air flow:	340 m ³ /h
Air throw:	4 m
Gas coil connection:	3/8 Φ mm
Liquid coil connection:	1/2 Φ mm
Weight:	8 kg

FANS

Diameter:	254 Φ mm
Number of fans:	1
Voltage:	230/50 V/Hz
Power:	70 W
Current:	0,52 A

ELECTRIC DEFROST

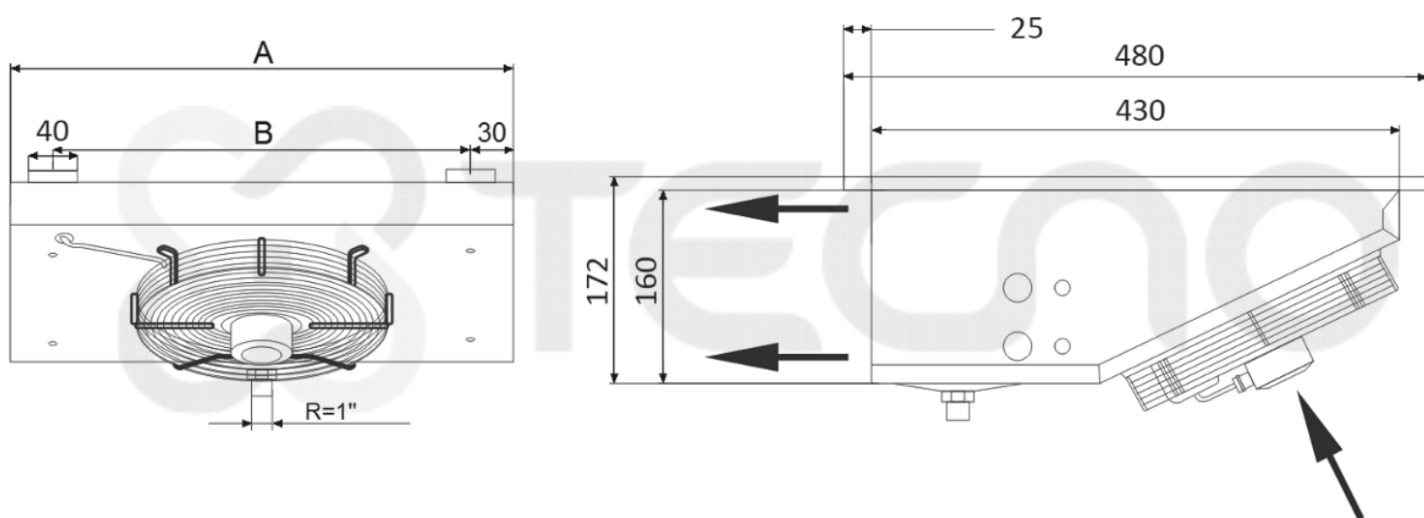
Voltage:	230/50 V/Hz
Coil block:	1x500 W
Total:	500 W

THE CORRECTION FACTORS

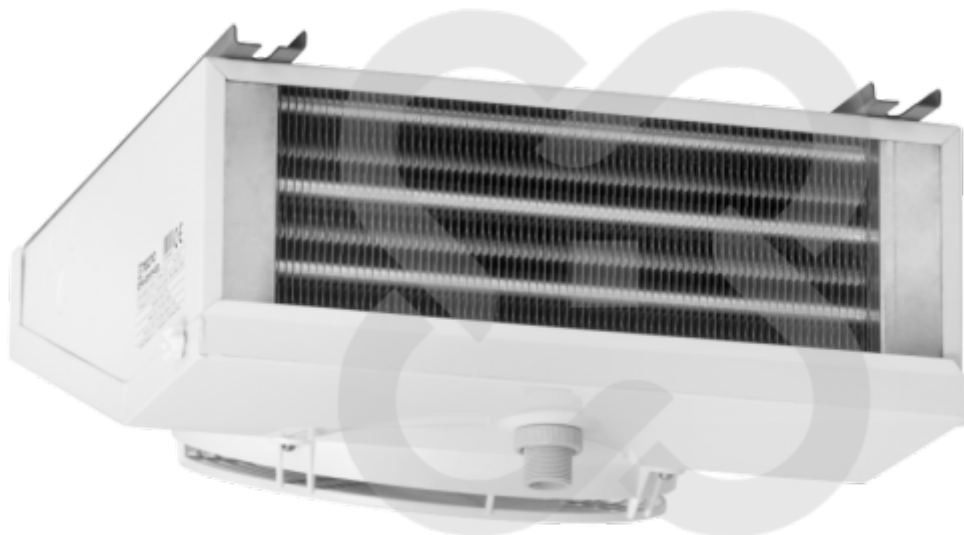
Tevap[°C] / DT1[K]	14	13	12	11	10	9	8	7	6
5	2,375	2,247	2,118	1,861	1,669	1,348	1,123	0,963	0,745
4	2,356	2,227	2,093	1,842	1,637	1,329	1,114	0,937	0,741
3	2,336	2,208	2,067	1,823	1,605	1,309	1,104	0,911	0,738
2	2,324	2,195	2,028	1,810	1,585	1,297	1,091	0,892	0,729
1	2,311	2,182	1,990	1,797	1,566	1,284	1,078	0,873	0,719
0	2,279	2,150	1,926	1,733	1,521	1,236	1,046	0,854	0,700
-5	2,247	2,118	1,861	1,669	1,476	1,188	1,014	0,834	0,680
-8	2,215	2,054	1,829	1,637	1,412	1,155	1,000	0,818	0,677
-10	2,182	1,990	1,797	1,605	1,348	1,123	0,976	0,802	0,674
-15	-	1,894	1,701	1,508	1,284	1,075	0,937	0,786	0,658
-20	-	1,797	1,605	1,412	1,220	1,027	0,899	0,770	0,642
-25	-	-	1,541	1,348	1,171	0,998	0,884	0,730	0,629
-30	-	-	-	-	1,123	0,969	0,868	0,700	0,602
-35	-	-	-	-	-	0,940	0,834	0,678	0,542

DIMENSIONS

A:	410 mm
B:	340 mm



SAMPLE PICTURES



Pictures of some products may vary. Every effort was made to information contained in this catalog are correct. Due to the constant technological developments reserves the right to make changes without notice.