

TECHNICAL DATA

Cooling capacity R404A/507 (te= -8°C ; DT1=8K):	6,15 kW
Cooling capacity R404A/507 (te= 0°C ; DT1=10K):	9,10 kW
Exchange surface:	22,8 m ²
Tube volume:	6,2 dm ³
Air flow:	5168 m ³ /h
Air throw:	10 m
Gas coil connection:	22 Ø mm
Liquid coil connection:	1/2 Ø cal
Weight:	46 kg

FANS

Diameter:	350 Ø mm
Number of fans:	2
Voltage:	230/50 V/Hz
Power:	312 W
Current:	1,48 A

ELECTRIC DEFROST

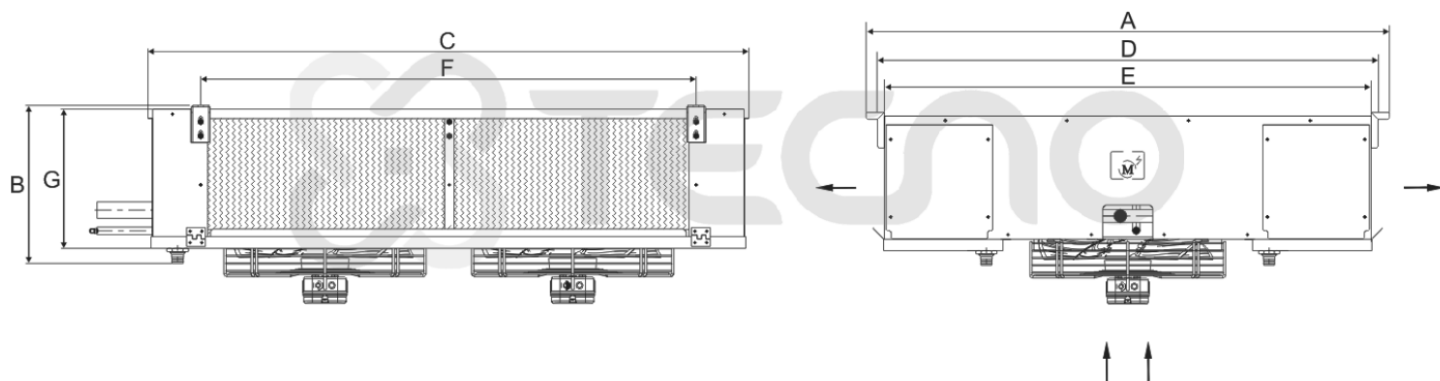
Voltage:	230/50 V/Hz
Coil block:	2x1040 W
Drip tray:	2x1040 W
Total:	4160 W

THE CORRECTION FACTORS

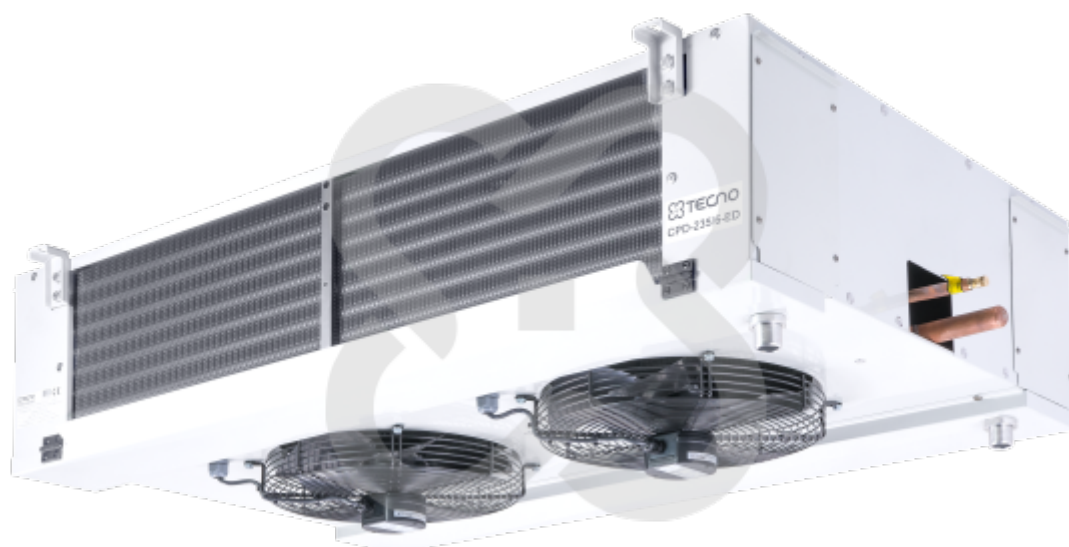
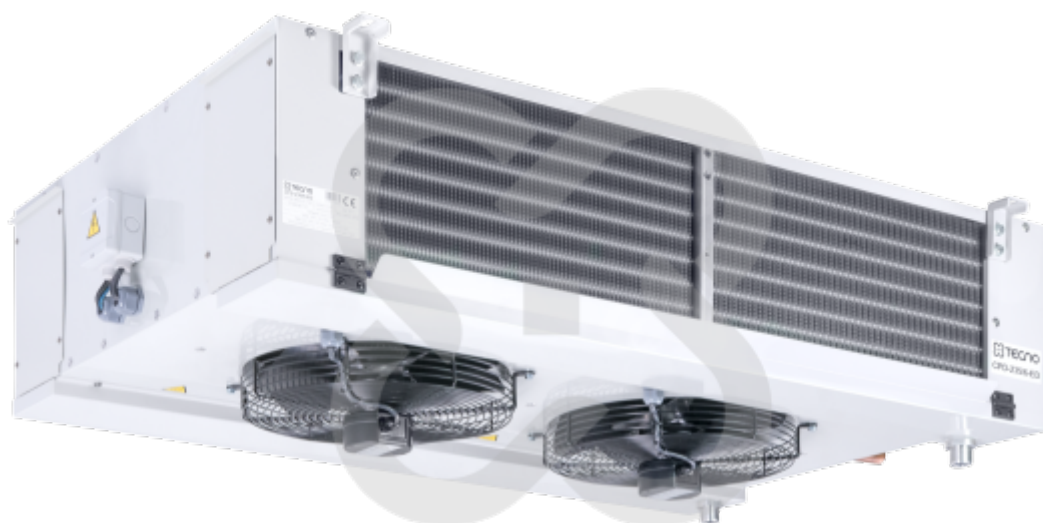
Tevap.[°C] / DT1[K]	13	12	11	10	9	8	7	6	5
5	-	2,126	1,884	1,575	1421	1,330	1,191	1,033	0,981
4	-	2,060	1,818	1,541	1,410	1,303	1,156	0,995	0,853
3	2,233	1,956	1,783	1,525	1,395	1,281	1,123	0,969	0,827
2	2,164	1,948	1,749	1,510	1,371	1,242	1,095	0,935	0,793
1	2,129	1,921	1,714	1,498	1,336	1,211	1,065	0,908	0,766
0	2,110	1,911	1,662	1,488	1,316	1,176	1,036	0,877	0,735
-5	1,796	1,657	1,449	1,389	1,235	1,099	0,962	0,826	0,690
-8	1,623	1,529	1,344	1,250	1,124	1,000	0,877	0,752	0,625
-10	1,551	1,462	1,304	1,238	1,114	0,992	0,868	0,743	0,619
-15	-	1,319	1,280	1,208	1,089	0,967	0,846	0,724	0,604
-20	-	1,200	1,259	1,179	1,062	0,942	0,825	0,706	0,589
-25	-	-	1,042	1,145	1,035	0,915	0,804	0,688	0,574
-30	-	-	-	1,114	1,008	0,891	0,780	0,671	0,559
-35	-	-	-	1,094	0,986	0,874	0,766	0,656	0,546

DIMENSIONS

A:	864 mm
B:	351 mm
C:	1373 mm
D:	816 mm
E:	784 mm
F:	1060 mm



SAMPLE PICTURES



Pictures of some products may vary. Every effort was made to information contained in this catalog are correct. Due to the constant technological developments reserves the right to make changes without notice.