

## TECHNICAL DATA

Cooling capacity R404A/507 ( te= -8 <sup>0</sup> C ; DT1=8K):	11,40 kW
Cooling capacity R404A/507 (te= -25 <sup>0</sup> C; DT1=7K):	8,60 kW
Exchange surface:	49,0 m <sup>2</sup>
Tube volume:	18,5 dm <sup>3</sup>
Air flow:	13600 m <sup>3</sup> /h
Air throw:	20 m
Gas coil connection:	42 $\Phi$ mm
Liquid coil connection:	15 $\Phi$ mm
Weight:	116 kg

## FANS

Diameter:	500 $\Phi$ mm
Number of fans:	2
Voltage:	400/50 V/Hz
Power:	960 W
Current:	2,4 A

## ELECTRIC DEFROST

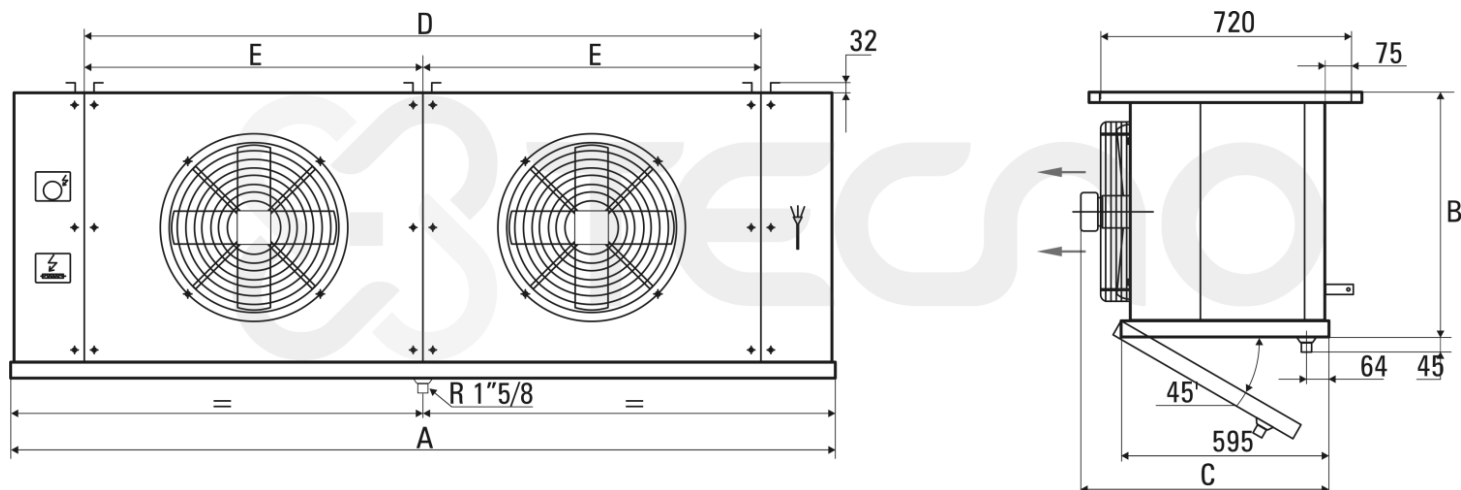
Voltage:	230/50 V/Hz
Coil block:	3x2320 W
Drip tray:	2x2320 W
Total:	11600 W

## THE CORRECTION FACTORS

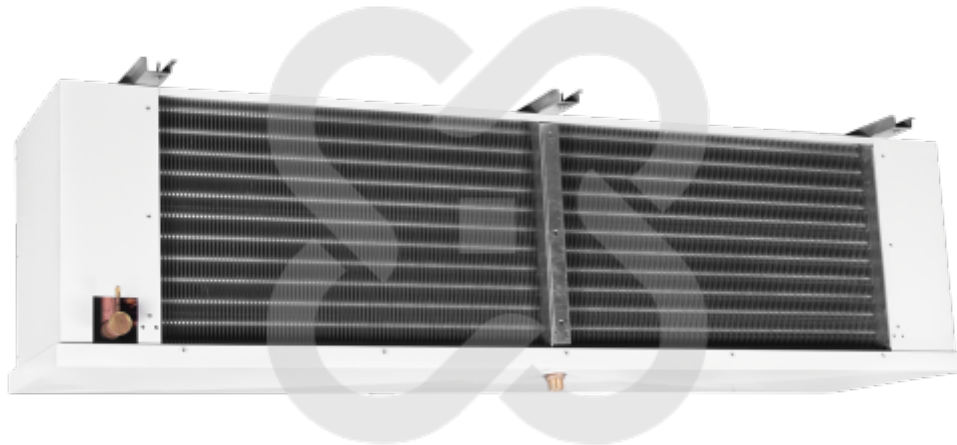
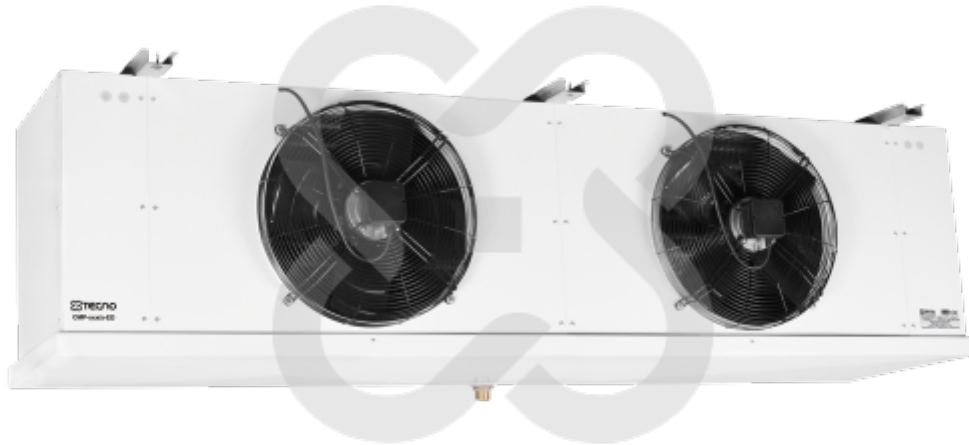
Tevap [°C] / DT1[K]	13	12	11	10	9	8	7	6
5	-	1,974	1,776	1,539	1,332	1,245	0,987	0,868
4	-	1,934	1,717	1,500	1,303	1,205	0,947	0,849
3	2,013	1,895	1,697	1,461	1,283	1,186	0,928	0,829
2	1,993	1,855	1,658	1,421	1,263	1,161	0,900	0,809
1	1,974	1,816	1,618	1,401	1,243	1,146	0,888	0,789
0	1,954	1,776	1,579	1,382	1,224	1,126	0,868	0,770
-5	1,737	1,618	1,461	1,303	1,164	1,085	0,849	0,750
-8	1,579	1,507	1,342	1,224	1,125	1,000	0,829	0,730
-10	1,427	1,399	1,268	1,160	1,113	0,987	0,802	0,720
-15	-	1,342	1,224	1,145	1,105	0,908	0,789	0,711
-20	-	1,224	1,145	1,066	0,947	0,868	0,770	0,691
-25	-	-	1,066	0,987	0,868	0,829	0,755	0,671
-30	-	-	-	0,908	0,789	0,770	0,691	0,651
-35	-	-	-	0,829	0,710	0,691	0,671	0,632

## DIMENSIONS

A:	2480 mm
B:	644 mm
C:	717 mm
D:	2058 mm
E:	1029 mm



SAMPLE PICTURES



Pictures of some products may vary. Every effort was made to information contained in this catalog are correct. Due to the constant technological developments reserves the right to make changes without notice.