

## TECHNICAL DATA

Cooling capacity R404A/507 ( te= -8 <sup>0</sup> C ; DT1=10K):	660 W
Exchange surface:	1,91 m <sup>2</sup>
Tube volume:	0,59 dm <sup>3</sup>
Air flow:	322 m <sup>3</sup> /h
Air throw:	1,83 m
Gas coil connection:	9,52 $\Phi$ mm
Liquid coil connection:	9,52 $\Phi$ mm
Weight:	3,8 kg

## FANS

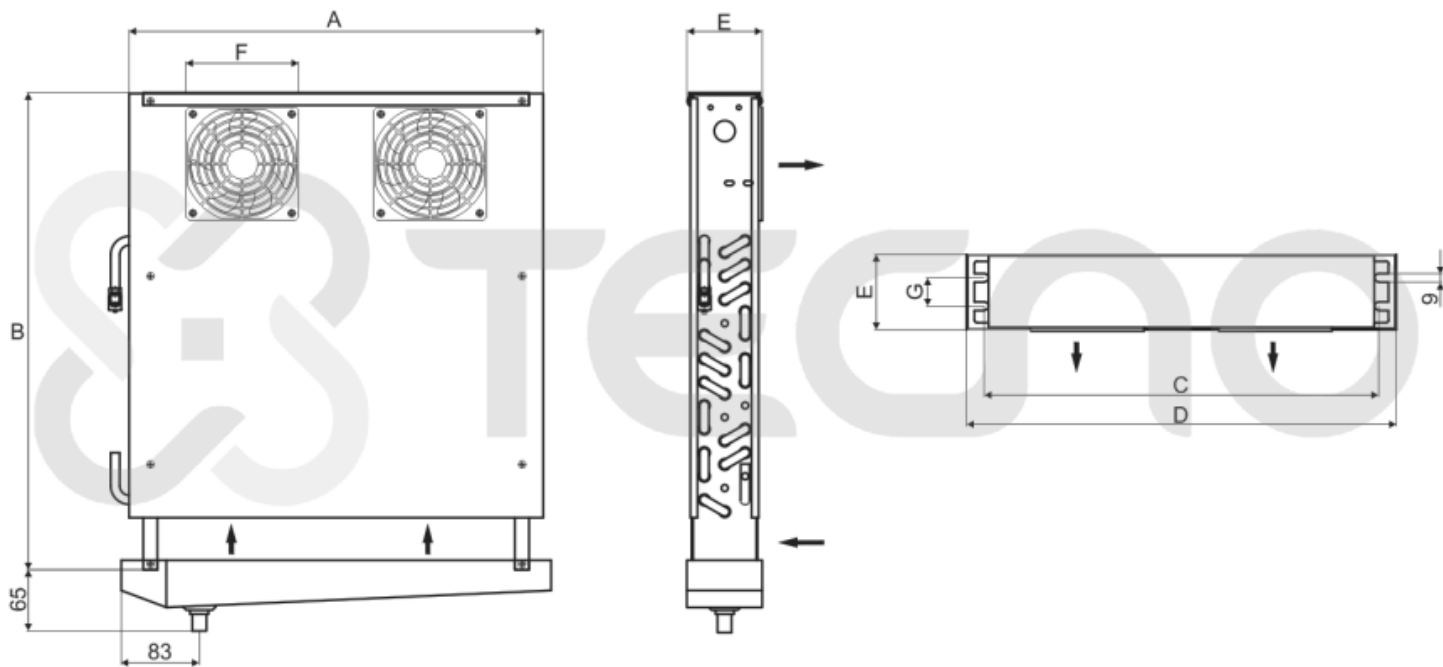
Diameter:	120 $\Phi$ mm
Number of fans:	2
Voltage:	230/50 V/Hz
Power:	40 W
Current:	0,26 A

**THE CORRECTION FACTORS**

Tevap.[°C] / DT1[K]	14	13	12	11	10	9	8	7	6
5	1,594	1,558	1,451	1,308	1,166	0,987	0,808	0,630	0,523
4	1,587	1,544	1,444	1,295	1,143	0,966	0,801	0,624	0,519
3	1,580	1,529	1,437	1,280	1,120	0,944	0,794	0,618	0,516
2	1,572	1,515	1,430	1,265	1,097	0,923	0,787	0,613	0,512
1	1,565	1,501	1,423	1,251	1,074	0,901	0,780	0,607	0,509
0	1,558	1,487	1,416	1,237	1,051	0,880	0,773	0,601	0,505
-5	1,523	1,434	1,427	1,166	1,019	0,855	0,732	0,580	0,487
-8	1,501	1,402	1,313	1,123	1,000	0,840	0,707	0,567	0,476
-10	1,487	1,380	1,237	1,094	0,987	0,830	0,691	0,558	0,469
-15	-	1,309	1,178	1,041	0,961	0,795	0,672	0,551	0,461
-20	-	1,237	1,118	0,987	0,934	0,763	0,652	0,544	0,454
-25	-	-	1,058	0,951	0,907	0,731	0,633	0,537	0,448
-30	-	-	-	-	0,880	0,699	0,613	0,530	0,440
-35	-	-	-	-	-	0,666	0,594	0,523	0,433

**DIMENSIONS**

A:	390 mm
B:	405 mm
C:	368 mm
D:	406 mm
E:	80 mm
F:	120 mm



**SAMPLE PICTURES**



Pictures of some products may vary. Every effort was made to information contained in this catalog are correct. Due to the constant technological developments reserves the right to make changes without notice.