

TECHNICAL DATA

Cooling capacity R404A/507 (te= -8 ⁰ C ; DT1=8K):	26,80 kW
Cooling capacity R404A/507 (te= -25 ⁰ C; DT1=7K):	20,30 kW
Exchange surface:	188,0 m ²
Tube volume:	50,5 dm ³
Air flow:	13550 m ³ /h
Air throw:	32m
Gas coil connection:	54 Φ mm
Liquid coil connection:	22 Φ mm
Weight:	245 kg

FANS

Diameter:	800 Φ mm
Number of fans:	1
Voltage:	400/50 V/Hz
Power:	650 W
Current:	1,52 A

ELECTRIC DEFROST

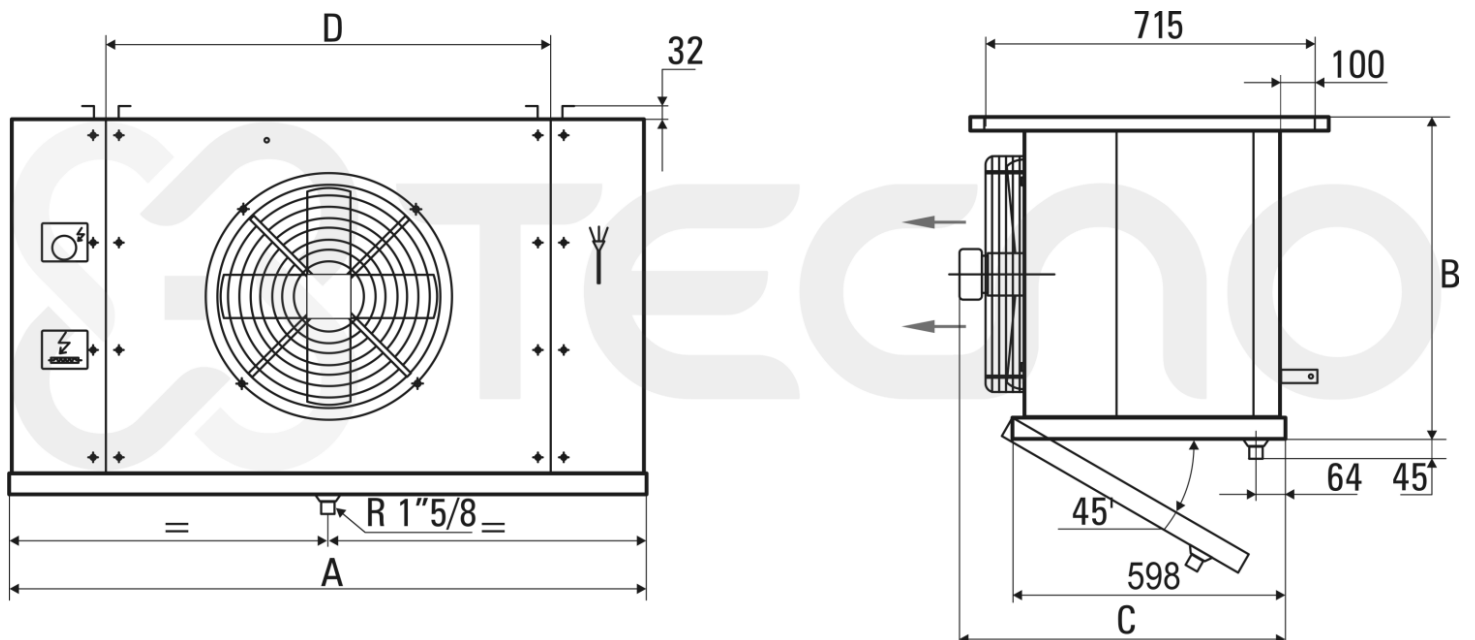
Voltage:	230/50 V/Hz
Coil block:	10x1700 W
Drip tray:	2x1700 W
Total:	20400 W

THE CORRECTION FACTORS

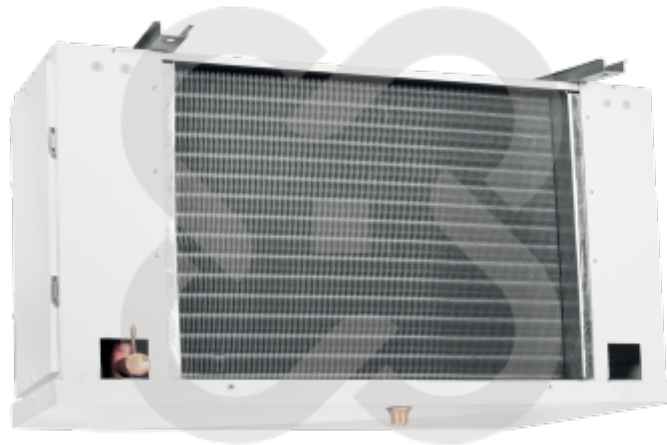
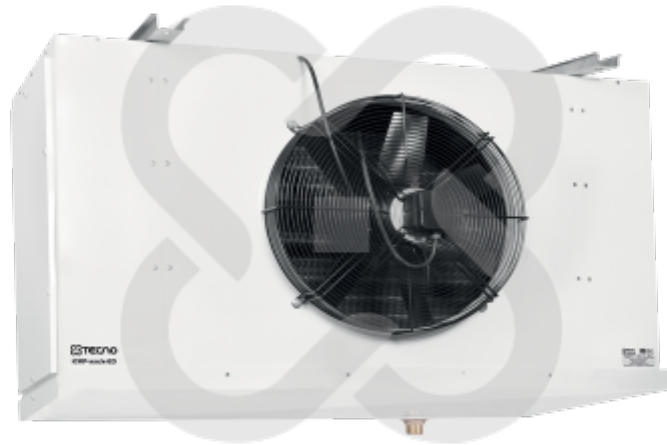
Tevap [°C] / DT1[K]	13	12	11	10	9	8	7	6
5	-	2,142	1,770	1,528	1,304	1,155	1,025	0,950
4	-	2,068	1,732	1,509	1,285	1,136	1,006	0,931
3	2,235	1,993	1,695	1,490	1,267	1,118	0,987	0,913
2	2,187	1,926	1,658	1,453	1,248	1,099	0,969	0,876
1	2,142	1,863	1,621	1,416	1,230	1,080	0,950	0,857
0	2,049	1,770	1,583	1,379	1,211	1,062	0,931	0,838
-5	1,770	1,602	1,453	1,304	1,155	1,006	0,876	0,820
-8	1,490	1,434	1,323	1,267	1,118	1,000	0,848	0,798
-10	-	-	-	1,230	1,080	0,950	0,820	0,777
-15	-	-	-	1,136	1,043	0,913	0,794	0,740
-20	-	-	-	1,043	1,006	0,876	0,764	0,702
-25	-	-	-	-	0,931	0,838	0,758	0,665
-30	-	-	-	-	0,876	0,801	0,740	0,635
-35	-	-	-	-	-	0,764	0,721	0,609

DIMENSIONS

A:	1875 mm
B:	1300 mm
C:	1045 mm
D:	1430 mm



SAMPLE PICTURES



Pictures of some products may vary. Every effort was made to information contained in this catalog are correct. Due to the constant technological developments reserves the right to make changes without notice.