

TECHNICAL DATA

Cooling capacity R404A/507 (te= -8 ⁰ C ; DT1=8K):	36,50 kW
Cooling capacity R404A/507 (te= -25 ⁰ C; DT1=7K):	27,70 kW
Exchange surface:	208,0 m ²
Tube volume:	52,5 dm ³
Air flow:	24150 m ³ /h
Air throw:	21 m
Gas coil connection:	54 Φ mm
Liquid coil connection:	22 Φ mm
Weight:	325 kg

FANS

Diameter:	550 Φ mm
Number of fans:	3
Voltage:	400/50 V/Hz
Power:	1650 W
Current:	3,96 A

ELECTRIC DEFROST

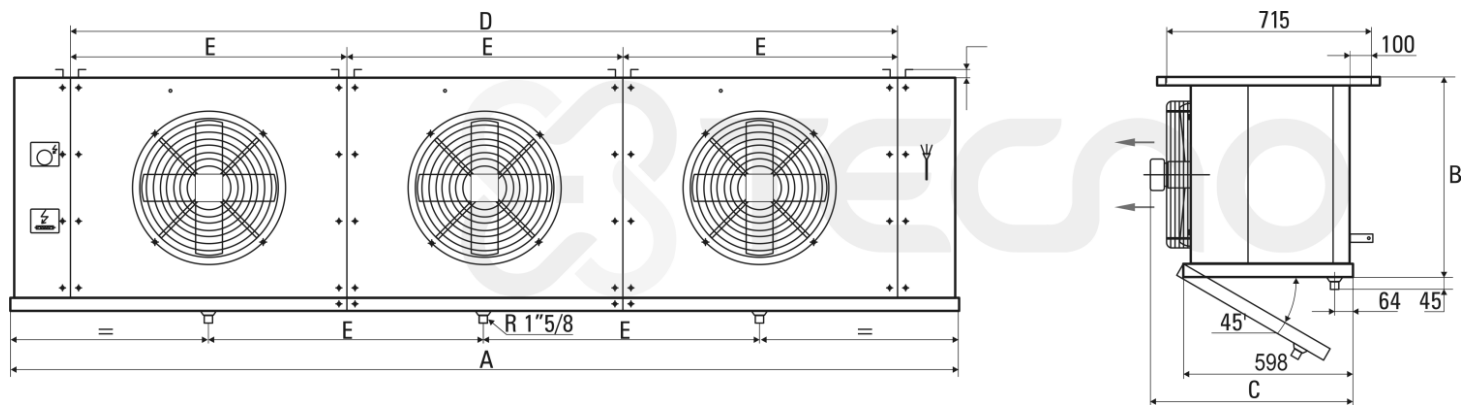
Voltage:	230/50 V/Hz
Coil block:	4x3200 W
Drip tray:	2x3200 W
Total:	19200 W

THE CORRECTION FACTORS

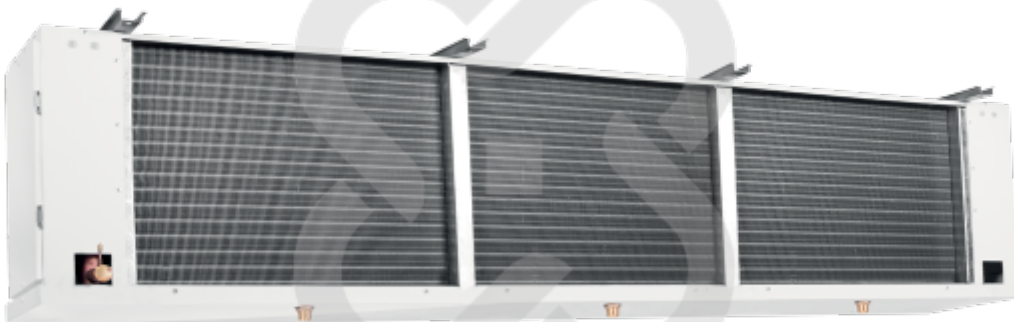
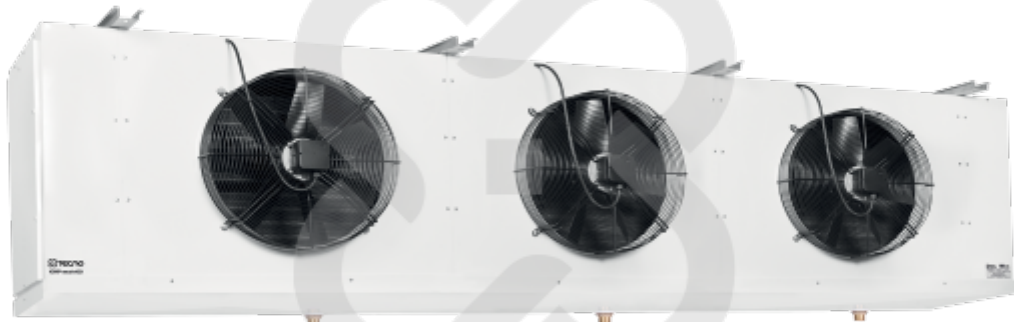
Tevap [°C] / DT1[K]	13	12	11	10	9	8	7	6
5	-	2,142	1,770	1,528	1,304	1,155	1,025	0,950
4	-	2,068	1,732	1,509	1,285	1,136	1,006	0,931
3	2,235	1,993	1,695	1,490	1,267	1,118	0,987	0,913
2	2,187	1,926	1,658	1,453	1,248	1,099	0,969	0,876
1	2,142	1,863	1,621	1,416	1,230	1,080	0,950	0,857
0	2,049	1,770	1,583	1,379	1,211	1,062	0,931	0,838
-5	1,770	1,602	1,453	1,304	1,155	1,006	0,876	0,820
-8	1,490	1,434	1,323	1,267	1,118	1,000	0,848	0,798
-10	-	-	-	1,230	1,080	0,950	0,820	0,777
-15	-	-	-	1,136	1,043	0,913	0,794	0,740
-20	-	-	-	1,043	1,006	0,876	0,764	0,702
-25	-	-	-	-	0,931	0,838	0,758	0,665
-30	-	-	-	-	0,876	0,801	0,740	0,635
-35	-	-	-	-	-	0,764	0,721	0,609

DIMENSIONS

A:	3535 mm
B:	845 mm
C:	720 mm
D:	3090 mm
E:	1030 mm



SAMPLE PICTURES



Pictures of some products may vary. Every effort was made to information contained in this catalog are correct. Due to the constant technological developments reserves the right to make changes without notice.